

# 3 Volt, D-Size Cell High Capacity

## Technical Datasheet



Technical Specifications	
<b>Part No.</b>	U10026 U10026-T1: optional Ni tabs
<b>NSN</b>	6135-01-566-1034
<b>Voltage Range</b>	1.5 to 3.3V
<b>Average Voltage</b>	3.0V
<b>Nominal Capacity</b>	13.0Ah @ 250mA to 2.0V @ 23°C
<b>Max. Discharge</b>	3.3A continuous
<b>Pulse Capability</b>	Up to 7.0A Varies according to pulse characteristics, temperature, cell history and the application. Consult Ultralife.
<b>Weight</b>	122g
<b>Operating Temperature</b>	-40°C to 72°C
<b>Storage Temperature</b>	-40°C to 95°C
<b>Exterior/Housing</b>	Hermetic Ni-plated steel can with Mylar sleeve
<b>Terminals/Connector</b>	Flat Ni-plated +/- End Caps
<b>Safety</b>	Material Safety Datasheet - MSDS023
<b>Transportation</b>	Class 9 - International (see note)
<b>Note</b>	A complete description of transportation regulations, lithium weights and transportation classifications is available on the Ultralife website.

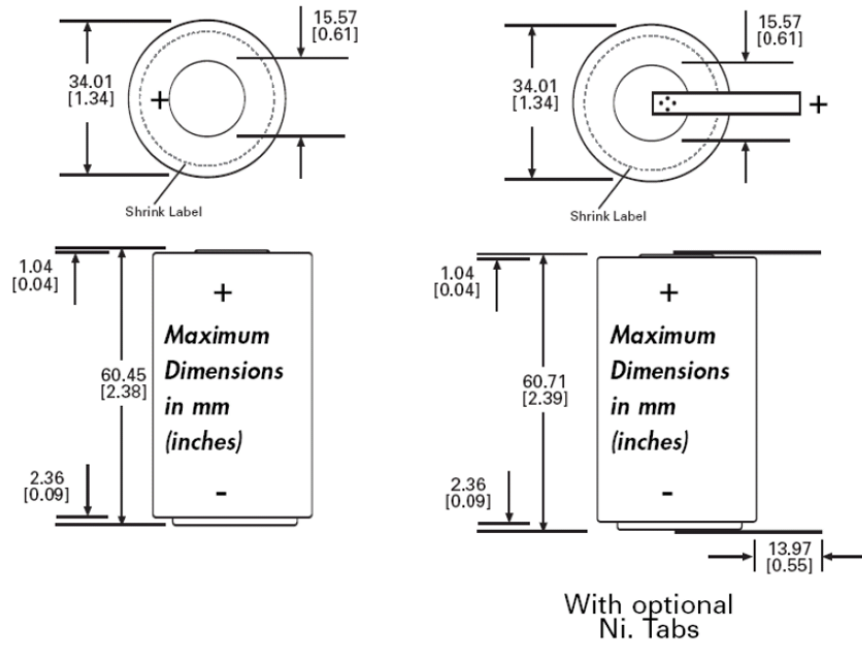
### Features

- Same high capacity as Li-SOCl<sub>2</sub> spiral wound cells
- High energy density
- No voltage delay
- Wide operating temperature range
- Lightweight
- Up to 10-year shelf life
- Long operating life
- Flat Ni-plated +/- End Caps

### Applications

- Automotive electronics / telematics
- Alarm and security devices
- Search and rescue devices
- Military communications, detectors & imaging
- Medical devices
- Automatic meter readers (AMR)
- M2M (Machine to Machine) communications
- GPS / Mobile asset tracking

# Dimensions



# Performance Graphs

